

Home Hub

- Automatic grid detection
- Complies with UL and FCC
- Wall-mount with bracket
- Supports remote diagnostics and OTA (over-the-air) updates



Residential Area



Solar Power



Energy Storage



EV Charger



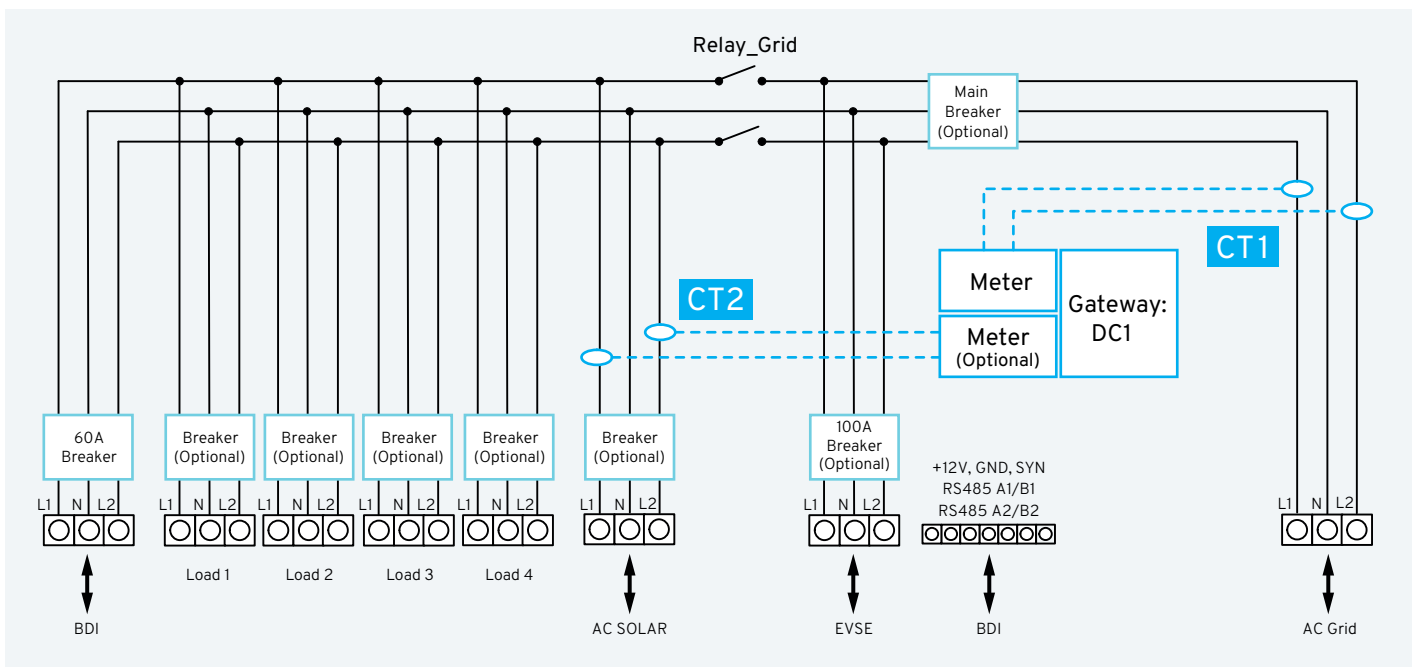
Monitor

Specifications

Model Name	GM Energy Home Hub e1.200
GENERAL ELECTRICAL SPECIFICATION	
Supported backup configurations	Whole home backup / Partial home backup (up to 200 A service)
Maximum main breaker rating	200 A
Maximum continuous current	166 A
Nominal allowed service voltage	120/240 V 60 Hz split phase
Short circuit rating	Up to 10 kA
Standby power consumption	<8 W
Overcurrent protection device allowed ¹⁾	100-200 A/ service entrance rated
AC metering	ANSI C12.20, Class 0.5
Load/ Generation Breaker	Refer to installation guide for available spaces
Overvoltage Category	OV IV
GENERAL SPECIFICATION	
Operating temperature range	-4 °F to 122 °F (-20 °C to 50 °C)
Humidity	0% to 95%
Maximum operating altitude	9,843 ft (3,000 m) above sea level
Installation	Wall mounting
Enclosure protection rating	Type 3R
Connectivity	Ethernet, WiFi
MECHANICAL DESIGN	
Dimensions (W x H x D)	20.5 x 35.8 x 7.56 in (520 x 910 x 192 mm)
Weight	45.2 lbs (20.5 kg)
Cooling	Natural convection
Compatible wiring gauge	AWG 10 to AWG 4/0
WARRANTIES AND CERTIFICATIONS	
Certification and Compliance	UL 1741, CSA-C22.2 No. 107.1-16, UL 67, UL 869A, FCC Part 15 class B
PCS	UL 1741 PCS CRD, NEC 705.13
Warranty	10 years

1) Recommended service-rated circuit breaker type must be installed.

Block Diagram *



* At the time of this specification publishing, AC solar system must be connected to the non-backup panel such that solar production does not occur during a power outage. Further updates will be made available at <https://gmenergy.gm.com/home/resources-and-support> when backup enabled solar become available.