

# Delta9.6V25Ah

- RS-485 interface for communication
- Integrated BMS and charging/discharging control
- Wide operation temperature range driven by intelligent heater solution



Residential  
Area



Solar Power



Energy  
Storage



EV Charger



Monitor

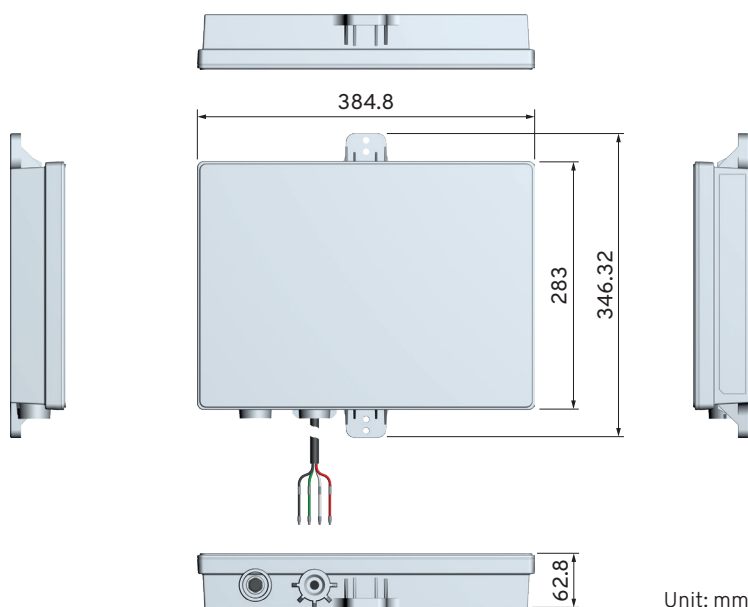
## Specifications

Model Name	Delta9.6V25Ah
Nominal capacity	216 Wh
Nominal voltage	9.6 V
End of discharge voltage	8.5 V
Maximum continuous discharge current	6.0 A
Charging voltage	12.0V ± 5%
Maximum charge current	1.0A (continuous) / 4.0A (peak)
Maximum peak discharge current	9.0A 10sec
Charger efficiency	Above 90%
Round-trip efficiency	Above 95%
BMS	Built-in
Communication interface	RS-485
Operating temperature range	Charge: 32 °F to 113 °F (0°C ~ 45°C)
	Discharge: -4 °F to 122 °F (-20°C ~ 50°C)
Storage time	1 month @ -4 °F to 140 °F (-20°C ~ 60°C)
	3 month @ -4 °F to 113 °F (-20°C ~ 45°C)
	12 month @ -4 °F to 86 °F (-20°C ~ 30°C)
Humidity	Operation 0% ~ 85% / Storage 0% ~ 90%
Maximum operating altitude	9,843 ft (3,000m) above sea level
Dimensions (W x H x D)	15.16 x 13.66 x 2.48 in (384.8 x 346.32 x 62.8 mm)
Weight	8.75 lbs (3.97 kg)
Installation	Wall Mounting
Enclosure protection rating	IP 65
Safety	UL 1973, UN 38.3
Limited warranty	10 years @ 25°C <sup>1)</sup>

1) For more info on limited warranty go to <https://gmenenergy.gm.com/for-home/here-to-help>



## Dimensions



## Pin Assignment

Color	Symbol	Description
Red	P+	Battery pack discharge positive terminal
White	B	Bus I/O, port B
Green	A	Bus I/O, port A
Black	P-	Negative terminal of battery stack

1) SJTW 4CX14AWG (2.08 mm<sup>2</sup>), 300 V, 105 °C (UL) E314513

2) Length 2m

2024/08/29