

# Home Hub

- Automatic grid detection
- Complies with UL and FCC
- Wall-mount with bracket
- Supports remote diagnostics and OTA (over-the-air) updates



Residential Area



Solar Power



Energy Storage



EV Charger



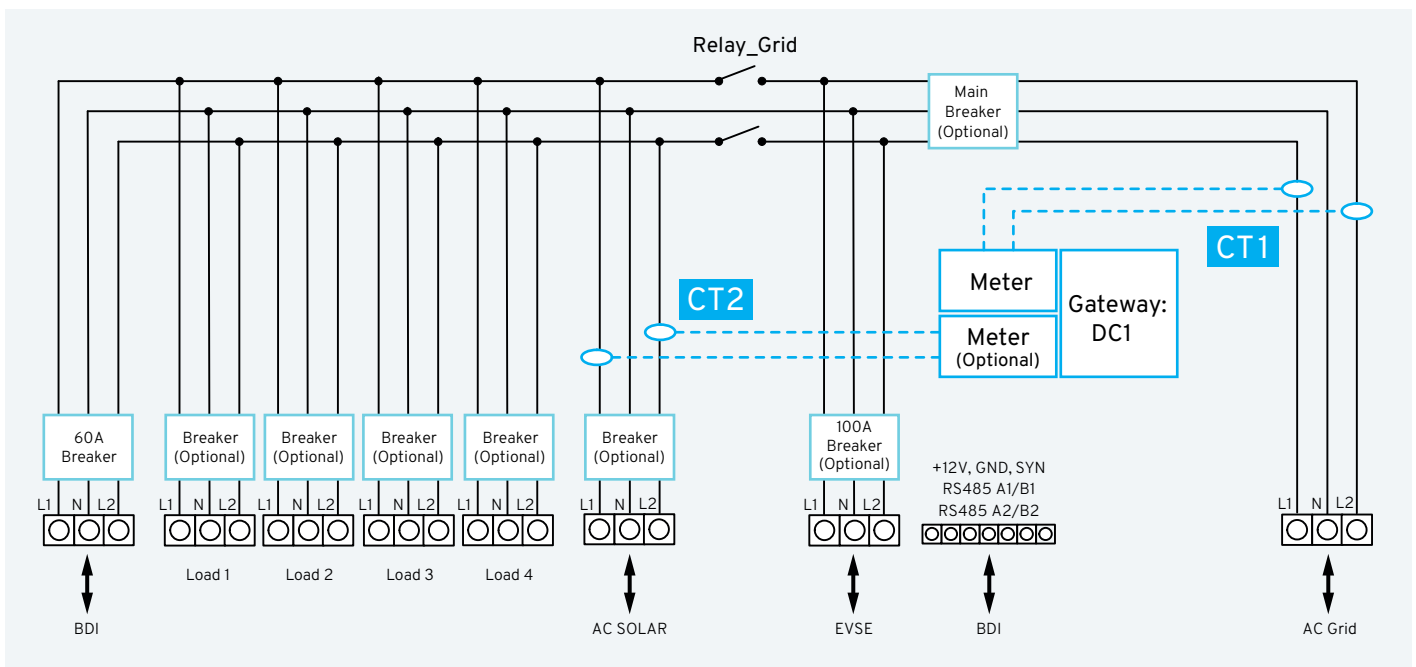
Monitor

# Specifications

| Model Name  | GM Energy Home Hub e1.200  |
|---|--|
| <b>GENERAL ELECTRICAL SPECIFICATION</b>             |  |
| Supported backup configurations                     | Whole home backup / Partial home backup (up to 200 A service)        |
| Maximum main breaker rating                         | 200 A  |
| Maximum continuous current                          | 166 A  |
| Nominal allowed service voltage                     | 120/240 V 60 Hz split phase  |
| Short circuit rating                                | Up to 10 kA  |
| Standby power consumption                           | <8 W   |
| Overcurrent protection device allowed <sup>1)</sup> | 100-200 A/ service entrance rated                                    |
| AC metering   | ANSI C12.20, Class 0.5   |
| Load/ Generation Breaker                            | Refer to installation guide for available spaces                     |
| Overvoltage Category                                | OV IV  |
| <b>GENERAL SPECIFICATION</b>                        |  |
| Operating temperature range                         | -4 °F to 122 °F (-20 °C to 50 °C)                                    |
| Humidity  | 0% to 95%  |
| Maximum operating altitude                          | 9,843 ft (3,000 m) above sea level                                   |
| Installation  | Wall mounting  |
| Enclosure protection rating                         | Type 3R  |
| Connectivity  | Ethernet, WiFi   |
| <b>MECHANICAL DESIGN</b>                            |  |
| Dimensions (W x H x D)                              | 20.5 x 35.8 x 7.56 in (520 x 910 x 192 mm)                           |
| Weight  | 45.2 lbs (20.5 kg)   |
| Cooling   | Natural convection   |
| Compatible wiring gauge                             | AWG 10 to AWG 4/0  |
| <b>WARRANTIES AND CERTIFICATIONS</b>                |  |
| Certification and Compliance                        | UL 1741, CSA-C22.2 No. 107.1-16, UL 67, UL 869A, FCC Part 15 class B |
| PCS   | UL 1741 PCS CRD, NEC 705.13  |
| Warranty  | 10 years   |

1) Recommended service-rated circuit breaker type must be installed.

## Block Diagram \*



\* At the time of this specification publishing, AC solar system must be connected to the non-backup panel such that solar production does not occur during a power outage. Further updates will be made available at <https://gmenergy.gm.com/home/resources-and-support> when backup enabled solar become available.